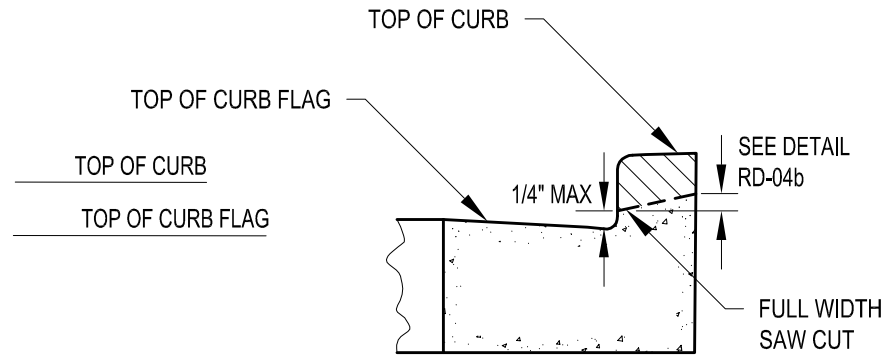
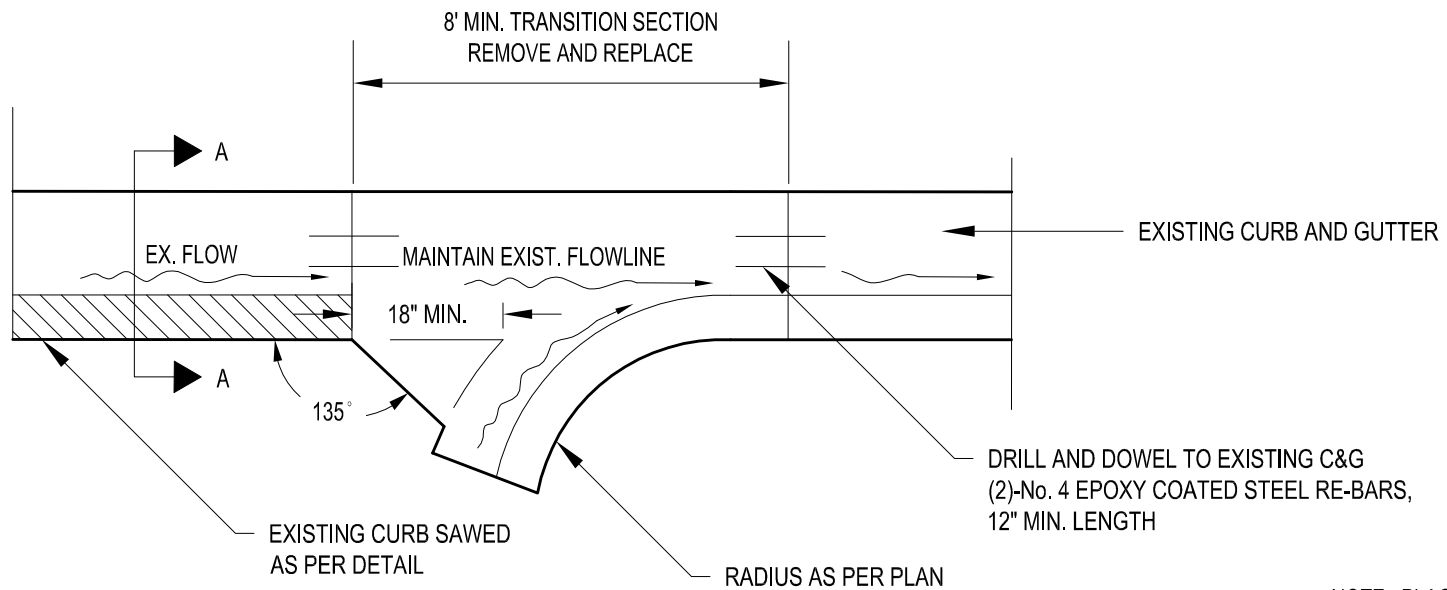


DRIVEWAY OPENING SIDE VIEW



SECTION A-A



CASE WITH B6.12 RETURN

NOTE: PLACE APPROVED SEAL COAT ON AREA THAT HAS BEEN SAWED.

| |
|---------------|
| Revised: |
| 1. 06/12/2015 |
| 2. |
| 3. |
| 4. |

| |
|---|
| Drawing Name |
| DEPRESSED CURB: ENTRANCE BY SAWING |

| |
|--------------------|
| Drawing Number |
| RD-04a |
| Date: 01/30/15 |
| Drawn Checked |
| DD AW |

